

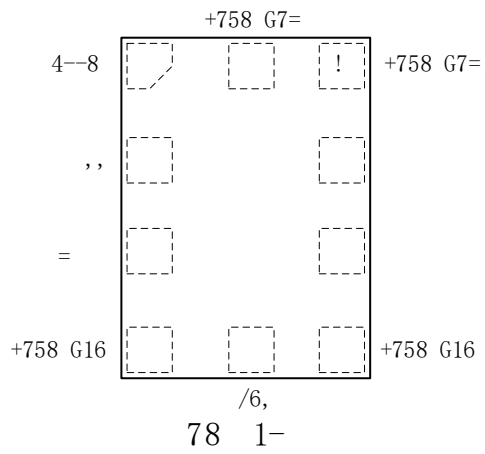
## UART

=

!5

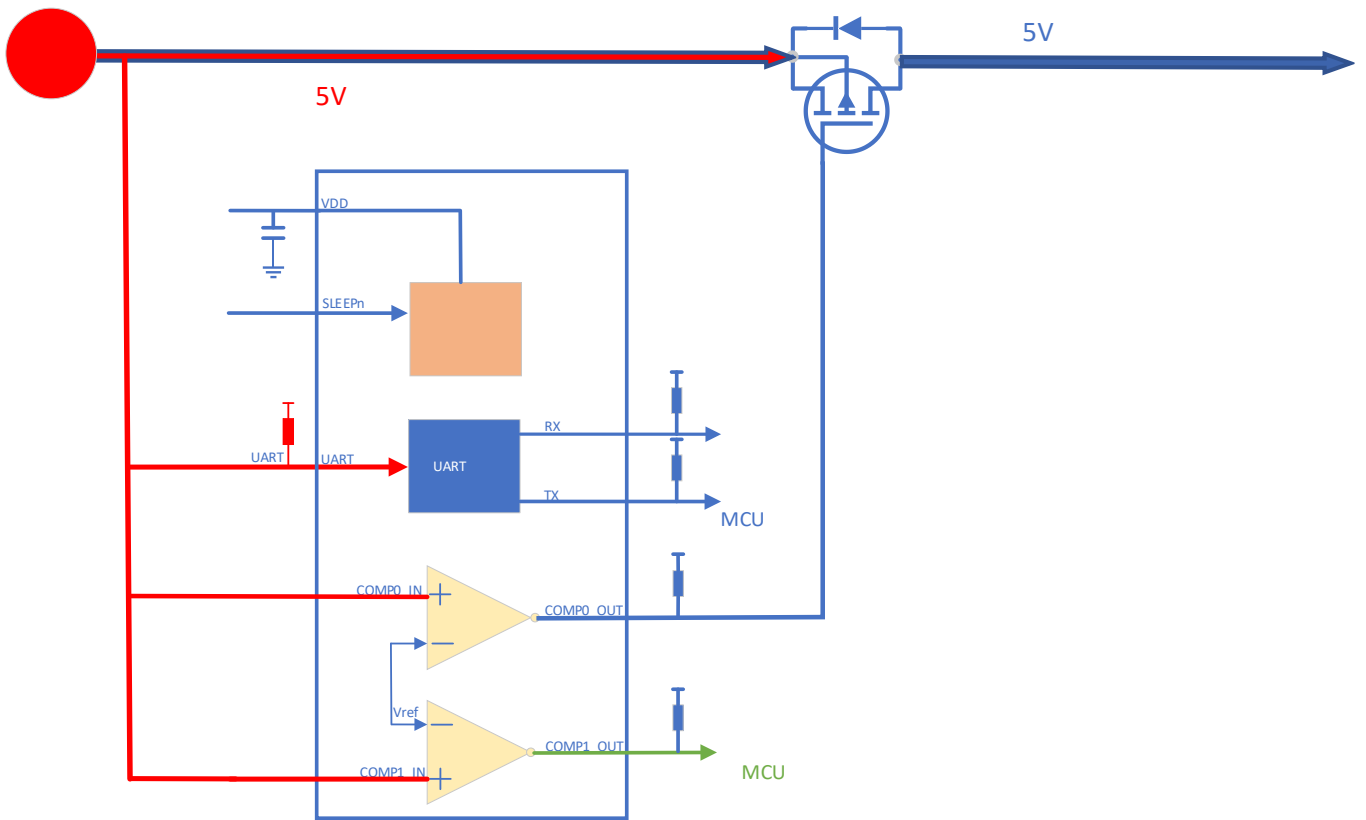
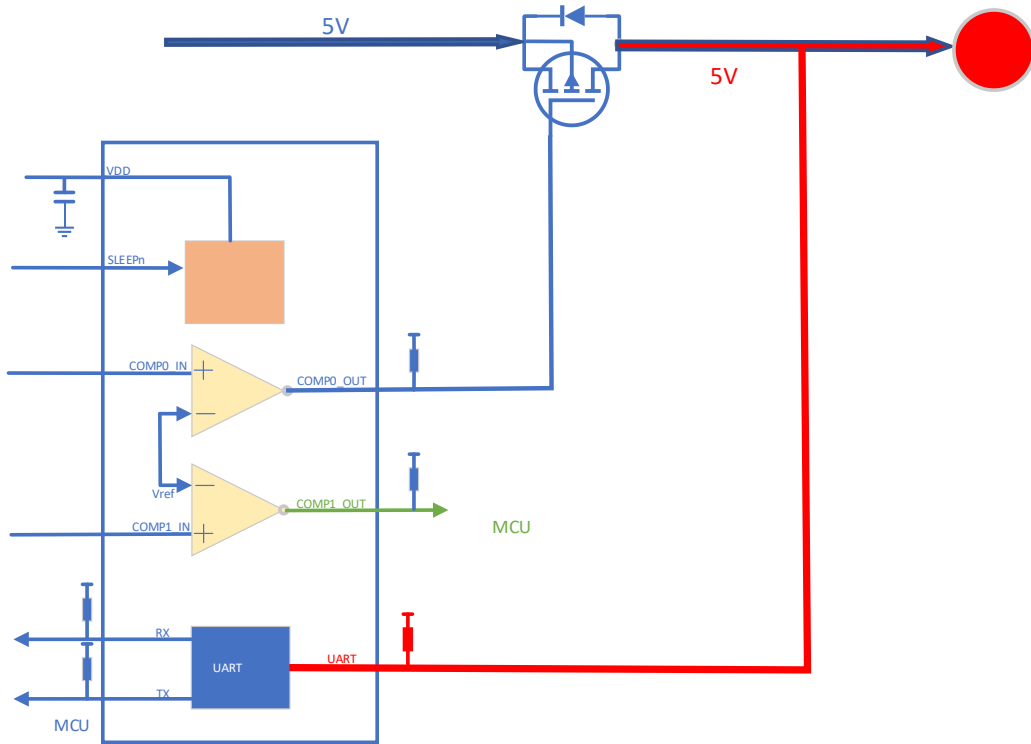
- =
- =
- = !5
- =
- =
- 
- 

### ■ 9.6 4



- 
- 
-





+758                      857                      +758 G7=                      857

+758                      +758                      +758 G7=

	TMM G6	Q	LQOQ IT	4--8 4--8
	,,		M	4, 7
	=	Q	LQOQ IT	= 7, 5
	+758 G16	Q	I IT O	
	/6,		M	
	+758 G16	Q	I IT O	
		Q	LQOQ IT	= 5
			LQOQ IT 7,	= M L IQ
!	+758 G7=		LQOQ IT 7,	857 7,
	+758 G7=		LQOQ IT 7,	7,

\*

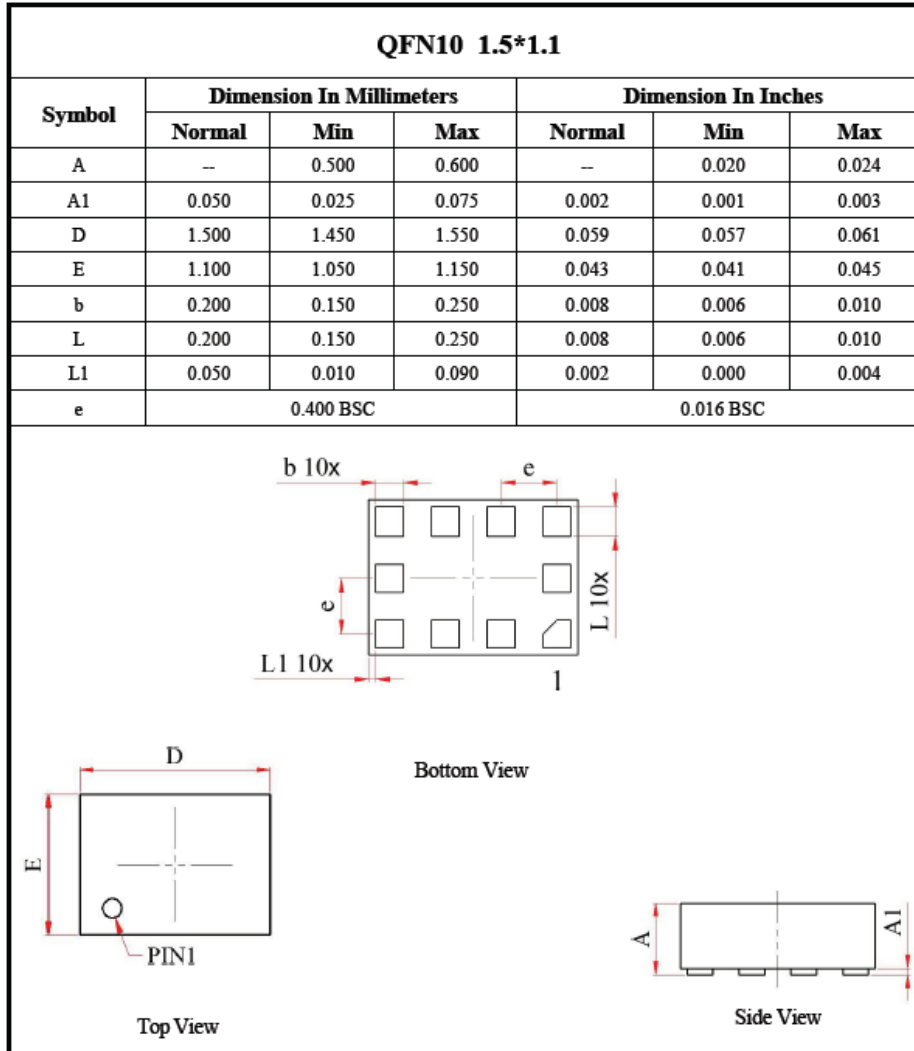
	+758 G7=		LQOQ IT 7,	857 7,
			LQOQ IT 7,	= M L IQ
		Q	LQOQ IT	= 5
	+758 G16	Q	I IT O	
	/6,		M	
	+758 G16	Q	I IT O	
	=	Q	LQOQ IT	= 7, 5
	,,		M	4,7
!	TMM G6	Q	LQOQ IT	4--8 4--8
	+758 G7=		LQOQ IT 7,	7,

\*

	,,	/6, /6,	
	1,,		U
			+
	78		+

, + +

## 9.6



	9.6

1. ;
- 2.

